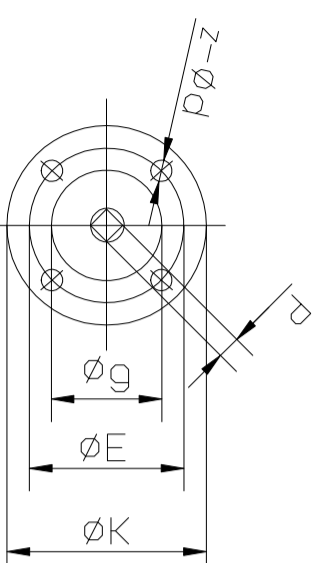
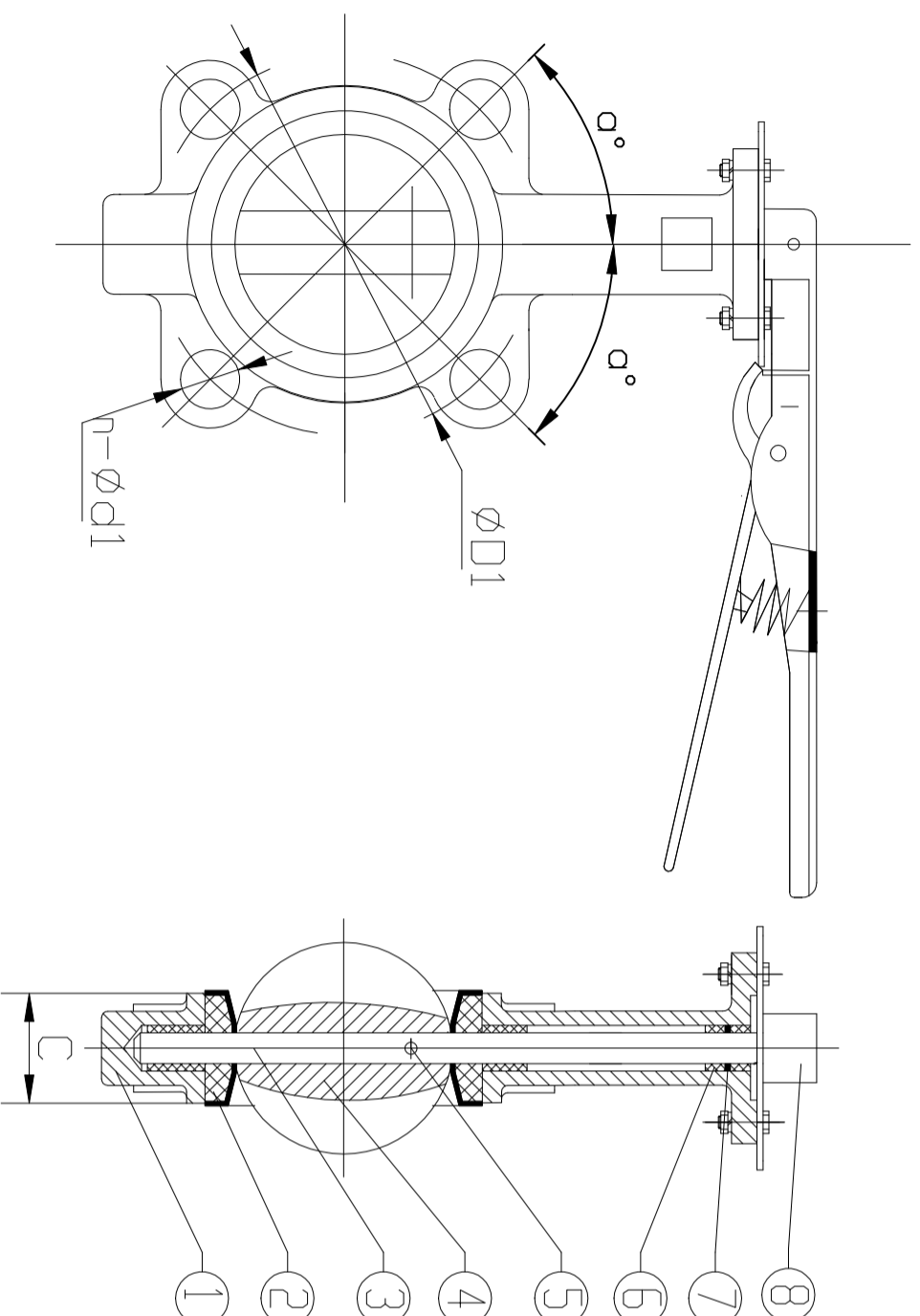


Nominal Pressure	1.6	Mpa
Testing Pressure	2.4	
Sealing Pressure	1.76	

DIMENSIONS: (mm)

SIZE	DN	C	PN16			UPPER FLANGE					Torque (Nm)
			D1	n-Ød1	a	K	E	z-d	g	P	
1.5	40	33	110	4-19	45	65	50	4-7	35	9	22
2	50	42	125	4-19	45	65	50	4-7	35	9	22
2.5	65	45	145	4-19	45	65	50	4-7	35	9	33
3	80	44.2	160	4-19	22.5	65	50	4-7	35	9	49
4	100	51.1	180	4-19	22.5	90	70	4-10	55	11	73
5	125	54.5	210	4-19	22.5	90	70	4-10	55	14	117
6	150	54.8	240	4-23	22.5	90	70	4-10	55	14	161
8	200	59.6	295	4-23	15	125	102	4-12	70	17	303
10	250	67	355	4-28	15	125	102	4-12	70	22	504
12	300	75.9	410	4-28	15	125	102	4-12	70	22	728



8	Handle										
7	O Ring	EPDM									
6	Bushing	POLYMERS									
5	Pin	Stainless Steel 304									
4	Disc	CF8									
3	Shaft	Stainless Steel 420									
2	Seat	EPDM									
1	Body	Cast Iron									
ITEM	PART NAME	MATERIAL	REMARK								
sign	time	change code	signature	date							
design					weight (Kg)	ratio					
		approve									
Wafer Type Butterfly Valve 40-300D7A1X-16											