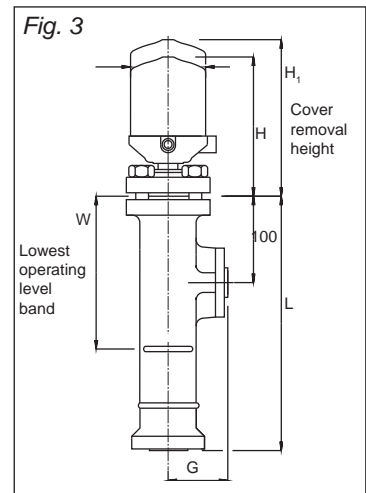
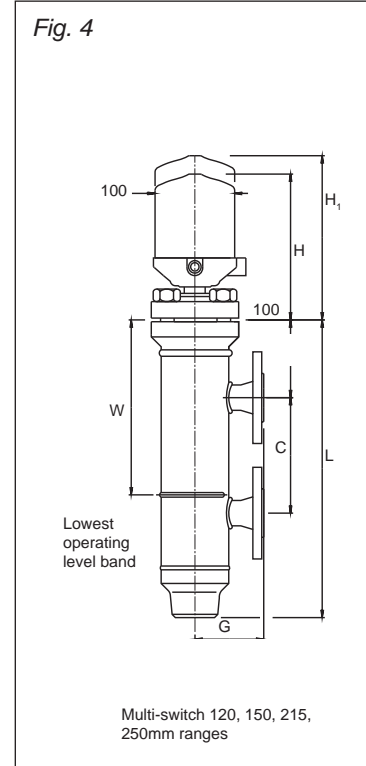


Dimensions and ordering information : Chamber mounted models

Type Number	Operating Range	No. of Switches		Flanged & Screwed Connections	Dimensions						
		Std.	Max		C	G	H	H ₁	L	W	F
Cast iron chamber - working pressure: 13kg/cm²											
BX02/1	62	1	-	BS4504.25-16/11	-	102	193	303	366	182	160
BX05/2	150	2	4	BS4504.25-16/11	-	102	293	497	468	277	160
BX07/2	250	2	6	BS4504.25-16/11	-	102	393	602	557	370	160
Fabricated steel chamber - working pressure: 21kg/cm²											
BX09/1	62	1	-	BS4504.25-40/2	-	87	193	303	366	182	160
BX10/2	150	2	4	BS4504.25-40/2	-	87	293	497	468	277	160
BX11/2	250	2	6	BS4504.25-40/2	-	87	393	602	557	370	160
Fabricated steel chamber - working pressure: 32kg/cm²											
BX12/1	62	1	-	BS4504.25-40/2	-	102	193	303	559	372	160
BX13/2	150	2	4	BS4504.25-40/2	-	100	293	497	559	372	160
BX14/2	250	2	6	BS4504.25-40/2	-	100	393	602	559	372	160



Type Number	Operating Range	No. of Switches		Flanged Connections	Screwed Bottom Conn. BSP	Dimensions						
		Std.	Max			C	G	H	H ₁	L	W	F
Cast iron chamber - working pressure: 13kg/cm²												
BX03/1	62	1	-	25-16/11	1"	216	102	193	303	448	277	160
BX15/1	62	1	-	20-16/11	1"	180	100	193	303	480	240	160
BX87/1	62	1	-	20-16/11	1"	180	135	193	303	480	240	160
BX16/2	120	2	4	20-16/11	1"	180	100	293	497	480	240	160
BX88/2	120	2	4	20-16/11	1"	180	135	293	497	480	240	160
BX06/2	150	2	4	25-16/11	1"	216	102	293	497	448	277	160
BX08/2	250	2	6	25-16/11	1"	317	102	393	597	557	370	160
Fabricated steel chamber - working pressure: 21kg/cm²												
BX17/1	62	1	-	20-40/2	½"	270	100	193	303	570	335	160
BX45/1	62	1	-	25-40/2	½"	270	100	193	303	570	335	160
BX18/2	120	2	4	20-40/2	½"	270	100	293	497	570	335	160
BX19/2	150	2	4	20-40/2	½"	270	100	293	497	570	335	160
BX20/2	150	2	4	25-40/2	½"	270	100	393	497	570	335	160
BX21/2	215	2	6	20-40/2	½"	270	100	393	602	570	335	160
BX22/2	215	2	6	25-40/2	½"	270	100	393	602	570	335	160
Fabricated steel chamber - working pressure: 32kg/cm²												
BX23/1	62	1	-	25-40/2	½"	350	112	193	303	595	372	160
BX24/2	150	2	4	25-40/2	½"	350	112	293	497	595	372	160
BX25/2	250	2	6	25-40/2	½"	350	112	393	597	595	372	160



Explanation of type numbers

The type numbers are arbitrary except that BX denotes chamber mounting and BD direct mounting.

The stroke number indicates the number of switch units fitted as standard. When extra switches are required this stroke number will indicate the total number of switches to be provided.

When Marine models are required the letter 'M' should be inserted after the letters BX and before the number, e.g., the Industrial and NEMA 4 Model BX05/2 becomes BXM05/2 when in Marine construction.

Marine type approvals:

- American Bureau of Shipping
- Bureau Veritas
- Germanischer Lloyd
- Lloyds Register of Shipping
- Det Norske Veritas
- Russian Maritime Register of Shipping
- TUV approved models (side and side connections only) are available on request. Before ordering please refer to Mobrey Measurement.

If the models shown here do not meet your specific requirements, please contact Mobrey Measurement for assistance.